



Top Control Dishwasher with QuadWash® and TrueSteam®

- QuadWash® and TrueSteam®
- Height Adjustable 3rd Rack
- EasyRack™ Plus
- Smooth Glide Rail Upper Rack
- 10 Wash Cycles & 9 Options
- LoDecibel™ Quiet Operation (44 dBA)
- Inverter Direct Drive™ Technology
- NeveRust™ Stainless Steel Tub
- LG ThinQ® Technology (Wi-Fi)



COLOR AVAILABILITY

- LDP6810SS – PrintProof™ Stainless Steel

CAPACITY

Total Place Settings	15
Upper Rack Dish Height Limit	7.1"
Lower Rack Dish Height Limit	12.5"

RACKS AND BASKETS

Cutlery Baskets	Yes
Cup Rack	Yes
Stemware Holder	Yes
Fold Down Tines	Yes (Half Fold on Upper & Half Fold on Lower)
BPA-Free Nylon Coated Racks and Tines	Yes
Rack Handle	Yes (Upper)
Upper Rack Pull-Out Mechanism	Glide Rail, Smooth Operating
Lower Rack Pull-Out Mechanism	Standard
EasyRack™ Plus System	Yes
Height Adjustable Upper Rack	Yes
3rd Rack	Yes (Height Adjustable)

STYLE AND DESIGN

Control Panel Location	Top Control
Electronic Controls	Fully Integrated Control Panel
SignaLight™ Cycle Indicator Lights	3
Time Remaining Indicator	Yes (LED)
Tub Material	NeveRust™ Stainless Steel
Tub Light	No
Handle	Pocket Handle
Fingerprint & Smudge Resistant Exterior	Yes (Stainless Only)

FEATURES

ADA Compliant	No
TrueSteam®	Yes
Wash System	QuadWash®
Inverter Direct Drive™ Motor	Yes
LoDecibel™ Quiet Operation	44 dBA
Number of Wash Cycles	10 (Auto, Heavy, Delicate, Refresh, Normal, Turbo, Download Cycle, Machine Clean, Rinse, Express)
Number of Options	9 (Dual Zone, Half Load, Energy Saver, Steam, High Temp, Extra Dry, Delay Start, Control Lock, Night Dry)
Number of Spray Arms	3 (Top, Upper, Lower)
SenseClean™ Wash System	Yes
Vario Wash	Yes
Detergent and Rinse-Aid Dispenser	Yes
Drying System	Dynamic Dry
End of Cycle Indicator	Yes (Beeper + END Indication on Display)
Hidden Water Heater	Yes
Safety Float Switch (Leaks)	Yes
Soil (Turbidity) Sensor	Yes
Balanced Door	Yes
3-Stage Filtration System	Yes
NSF®-Certified*	Yes

SMART FEATURES

Wi-Fi Enabled	Yes
ThinQ® Technology	Yes
ThinQ Care	Yes
Voice Control	Google Assistant, Amazon Alexa
SmartDiagnosis™	Yes
Remote Monitoring	Yes

TECHNICAL SPECS

ENERGY STAR® Certified	Yes
CEE Qualified	Tier 1
Energy Consumption (kWh / Year)	258
Water Factor (WF)	2.8
Electrical Requirements	120V, 60 Hz, 15 Amps
Power Outlet Location	Within 48" of Either Side
Power / Plug Type	3-Wire Cable Required
Drain Location	Within 12 ft. of Sink
Water Connection	90° 3/8" Compression Installed at Factory
Water Pressure (Min.–Max.)	20–80 psi
Inlet Water Temperature (Min.–Max.)	120°–149° F



*LG TrueSteam Dishwashers certified by NSF achieve a minimum 99.999 percent reduction of bacteria when operated on the Steam cycle.

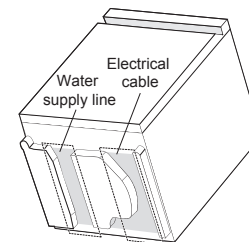
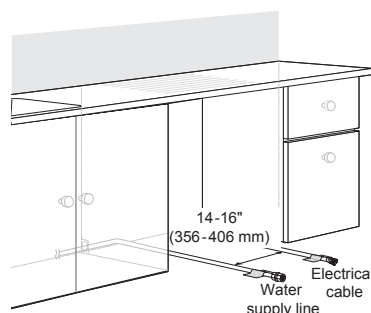
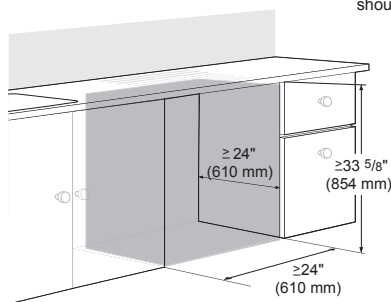
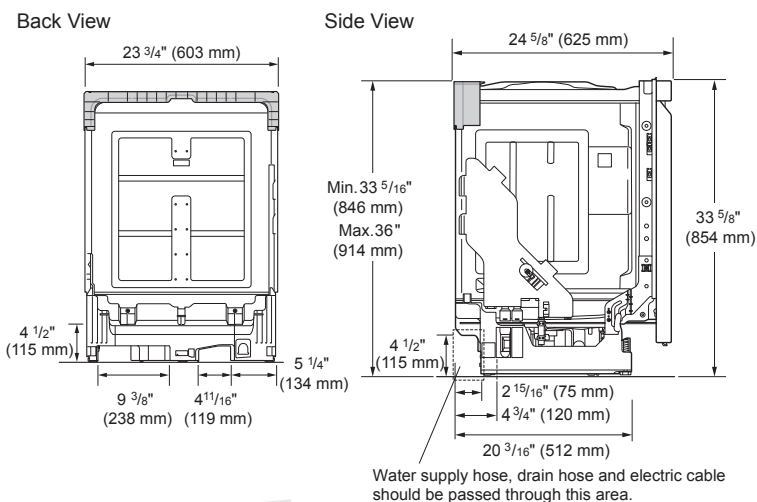
DIMENSIONS / CLEARANCES / WEIGHTS

Product Dimensions (W x H x D)	23 3/4" x 33 5/8" x 24 5/8"
Adjustable Height	Min. 33 5/8" (Front) - Max. 36"
Depth with Door Closed, Including Handle	24 5/8"
Depth with Door Open	50 1/2"
Cutout Dimensions (W x H x D)	24" x 33 5/8" x 24"
Approx. Weight (Product / Carton)	84.7 lbs. / 96.8 lbs.
Carton Dimensions (W x H x D)	28" x 34 7/10" x 29 3/5"

LIMITED WARRANTY

Labor	1 Year
Parts	1 Year
Control Board and Rack Parts	2 Years
Stainless Steel Door Liner or Tub	2 Years
Direct Drive Motor	10 Years

DIMENSIONS / CLEARANCES



INSTALLATION NOTES

- This dishwasher is designed to fit a standard dishwasher opening. An opening may be needed on both sides to route plumbing and electrical connections.
- Select a location as close to the sink as possible for easy connections to water supply line, drain hose and electrical connection.
- To ensure proper drainage, install the dishwasher no more than 12 ft. (3.65 m) from the sink.
- The location must have sufficient space for the dishwasher door to open easily and provide at least 0.1" (2 mm) between the dishwasher and the cabinet sides.
- If installing the dishwasher in a corner, leave a minimum of 2" (50 mm) between the dishwasher and the adjacent wall.
- To allow for proper clearance of plumbing and electrical, use the template included with the literature to determine the clearance on the side of the cabinet where the cabinet meets the back wall. Using a 2 1/2" diameter hole saw, drill a hole in the target area as shown on the template.
- If an extension drain hose is required, use a 5/8" or 7/8" inside diameter, 2–3 ft. length hose and a coupler for connecting the two hose ends.